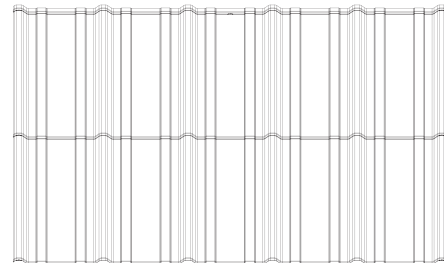
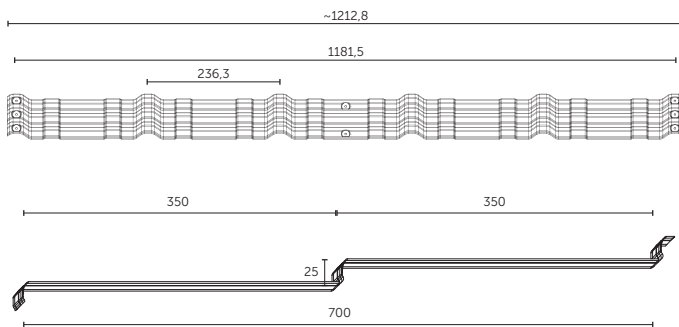
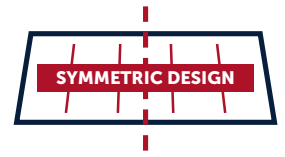




MODULAR ROOFS



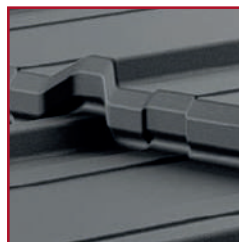
THE FUTURE OF ROOF AESTHETICS



Total sheet width (ArcelorMittal):	1216 mm
Total sheet width (SSAB):	1220 mm
Effective sheet width:	1182 mm
Distance between the wave peaks:	237 mm
Total sheet length:	725 mm
Effective sheet length:	700 mm
Module length:	350 mm
Total height:	35 mm
Step height:	25 mm
Wave height:	10 mm
Surface covered by the sheet:	0,827 m ²
Sheet thickness:	0,5 mm
Zinc coating:	min. 275 g/m ²
Sheet weight:	3,7 kg
Pallet dimensions:	1235 x 800 x 850 mm
Sheets per pallet:	352 pcs.
Layers/sheets per pallet:	11/32 pcs.
Effective m ² per pallet:	291,104 m ²
Pallet weight:	~1350 kg
Minimum roof pitch:	9° (15%)
Recommended roof pitch:	>25%



STRENGTHENED TRANSVERSE FOLDS



DOUBLE RIB BENDING



TUCKED-DOWN BOTTOM EDGE



PRE-DRILLED MOUNTING HOLES



Product has received EUIPO registration certificate

Available coatings: X-Matt GreenCoat Crown BT, D-Matt, IDEAL-SATIN GreenCoat Pural BT, IDEAL-MATT GreenCoat Pural BT matt



DEDICATED ACCESSORIES



SEE MORE



Drift - Universal outer modular barge flashing
Drift - Universal bottom modular barge flashing



Ridge cap GSC-TOP



DEDICATED ACCESSORIES



Dry verge
Venecja

Width:	372 mm
Height:	189 mm
Depth:	82 mm
Sheet thickness:	0,7 mm
Quantity per package:	12 pcs.
Colors:	10



Dry verge
Murano

Width:	364 mm
Height:	193,3 mm
Depth:	147,8 mm
Sheet thickness:	0,7 mm
Quantity per package:	6 pcs.
Colors:	10



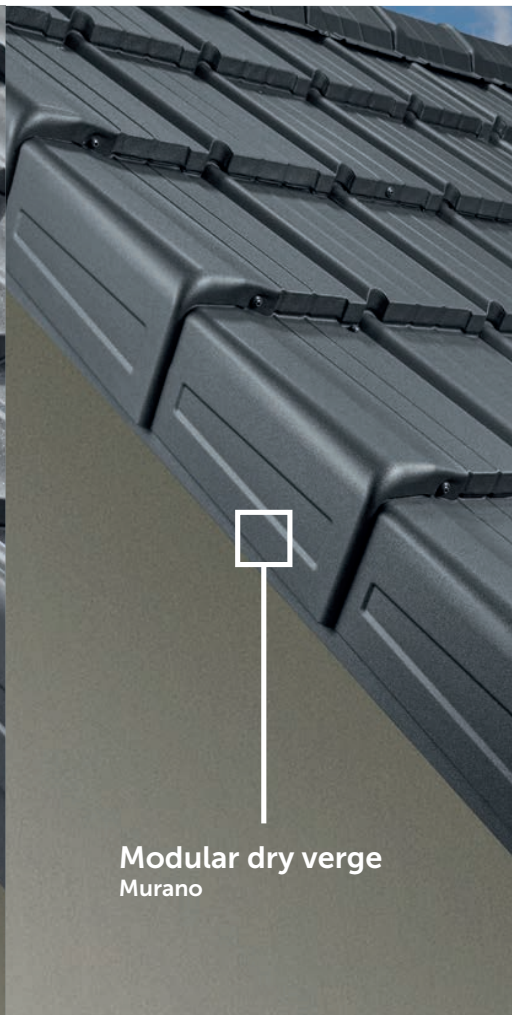
Dry verge
Bella Sara

Width:	360 mm
Height:	181 mm
Depth:	90 mm
Sheet thickness:	0,7 mm
Quantity per package:	8 pcs.
Colors:	10

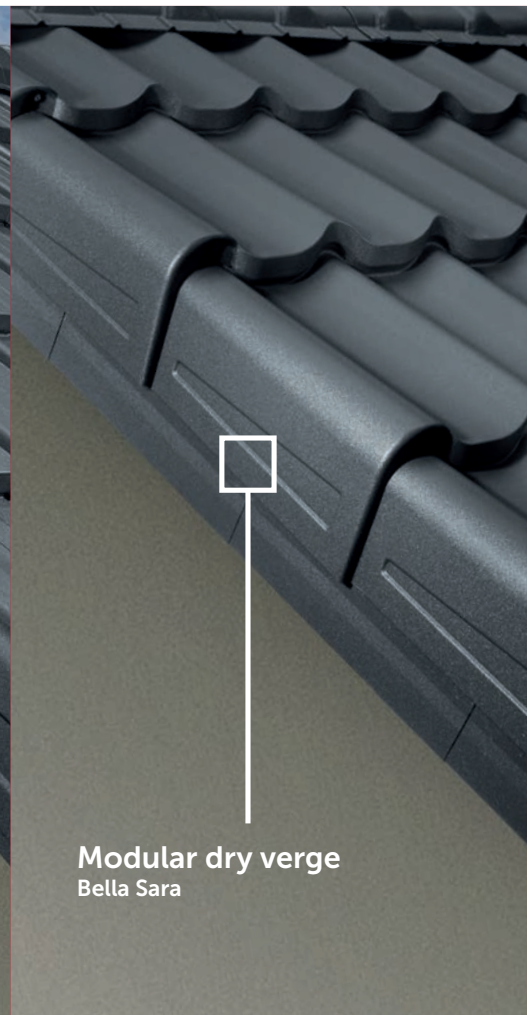
Material: Steel sheet S280 galvanized Z275 with organic coatings X-MATT SP30, D-MATT SP35



Modular dry verge
Venecja



Modular dry verge
Murano



Modular dry verge
Bella Sara



Drift 150
Universal bottom modular barge flashing

Total width: 384 mm
Effective width: 350 mm
Height: 150 mm
Depth: 40 mm
Sheet thickness: 0,5 mm
Quantity per package: 20 pcs.
Colors: 8
Left, Right



Drift 180
Universal bottom modular barge flashing

Total width: 384 mm
Effective width: 350 mm
Height: 180 mm
Depth: 40 mm
Sheet thickness: 0,5 mm
Quantity per package: 20 pcs.
Colors: 8
Left, Right



Drift 270
Universal bottom modular barge flashing

Total width: 384 mm
Effective width: 350 mm
Height: 270 mm
Depth: 40 mm
Sheet thickness: 0,5 mm
Quantity per package: 20 pcs.
Colors: 8
Left, Right



Drift 224
Universal outer modular barge flashing

Total width: 381 mm
Effective width: 350 mm
Height: 224 mm
Depth: 32 mm
Sheet thickness: 0,5 mm
Quantity per package: 20 pcs.
Colors: 8
Left, Right

Material: Steel sheet S280 galvanized Z275 with organic coatings X-MATT SP30, D-MATT SP35



Drift 224
Universal outer modular barge flashing

New
in offer

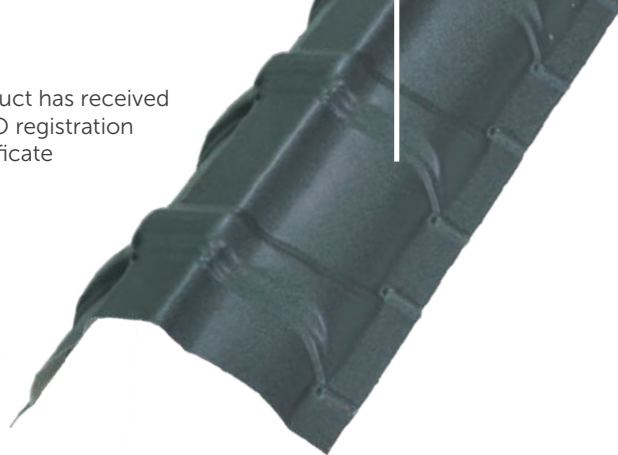
Drift 150
Drift 180
Drift 270
Universal bottom modular barge flashing



DEDICATED ACCESSORIES



Product has received
WIPO registration
certificate



Ridge cap GS-LUX

Venecja, Bella Sara, Rialto, Ferrara

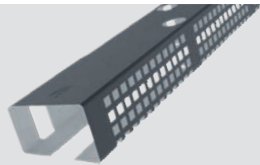
Total width: 1205 mm
Effective width: 1145 mm



Ridge cap GSC-TOP

Como

Total width: 1030 mm
Effective width: 940 mm



Eaves vent profile

Venecja, Murano, Bella Sara,
Rialto, Ferrara

Length: 1200 mm
Thickness: 0,5 mm
Height: 27/31 mm
Ventilation area: 132 cm²
Quantity per package: 42 pcs.



Eaves vent profile

Como

Length: 1200 mm
Thickness: 0,5 mm
Height: 21/24 mm
Ventilation area: 132 cm²
Quantity per package: 60 pcs.

Material: sheet steel S280 galvanized Z275, with organic coating SP35



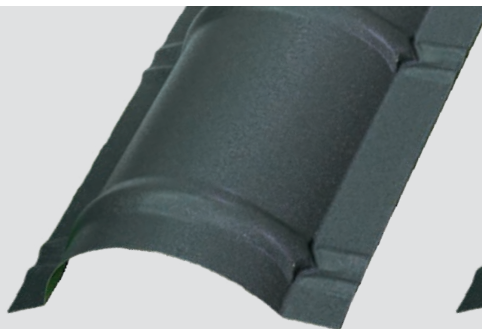
Ridge cap GSM-TOP
Murano

Total width:	1950 mm
Effective width:	1820 mm



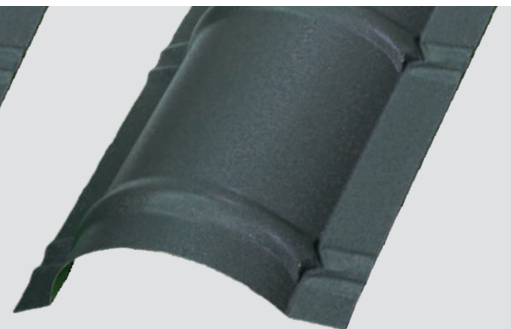
Ridge cap GSM-FLAT
Murano

Total width:	2000 mm
Effective width:	1950 mm



Ridge cap GSV-30
Venecja

Total width:	1950 mm
Effective width:	1840 mm



Ridge cap GSM-30
Murano

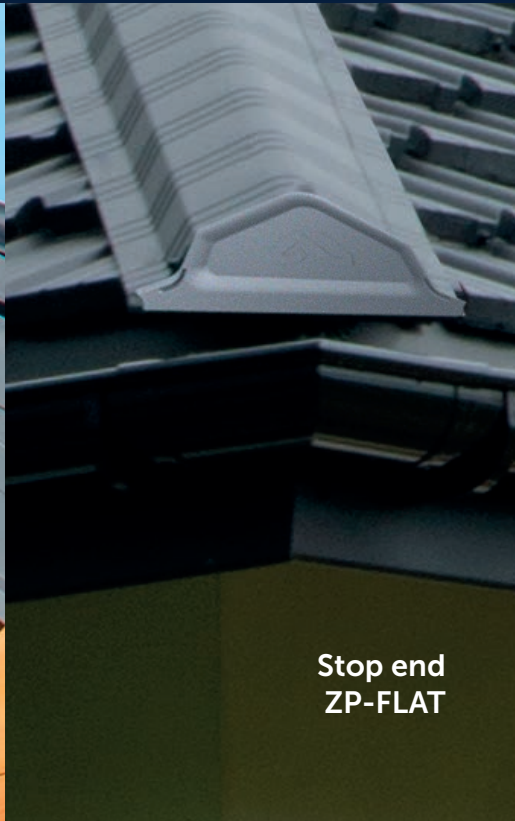
Total width:	1945 mm
Effective width:	1815 mm



DEDICATED ACCESSORIES



**Stop end
ZP-LUX**



**Stop end
ZP-FLAT**



**Stop end
ZP-TOP**



**Stop end
ZP-LUX**
for ridge cap GS-LUX

Width:	297 mm
Height:	264 mm
Depth:	65 mm
Sheet thickness:	0,7 mm
Quantity per package:	8 pcs.
(vacuum sealed in a pack of 2pcs.)	
Colors:	10



**Stop end
ZP-FLAT**
for ridge cap GSM-FLAT

Width:	272 mm
Height:	125 mm
Depth:	35 mm
Sheet thickness:	0,5 mm
Quantity per package:	10 pcs.
Colors:	16



**Stop end
ZP-TOP**
for ridge cap GSM-TOP and GSC-TOP

Width:	248 mm
Height:	142 mm
Depth:	35 mm
Sheet thickness:	0,5 mm
Quantity per package:	10 pcs.
Colors:	16

Material: sheet steel S280 galvanized Z275, with organic coating SP35



Stop end
ZS-FLAT



Stop end
ZS-LUX



Stop end ZS-FLAT
for ridge cap GSM-FLAT

Width:	300 mm
Height:	102 mm
Depth:	232 mm
Sheet thickness:	0,7 mm
Quantity per package:	12 pcs.
Colors:	10



Stop end ZS-LUX
for ridge cap GS-LUX

Width:	308 mm
Height:	107 mm
Depth:	274 mm
Sheet thickness:	0,7 mm
Quantity per package:	12 pcs.
Colors:	10

Material: sheet steel S280 galvanized Z275, with organic coating SP35